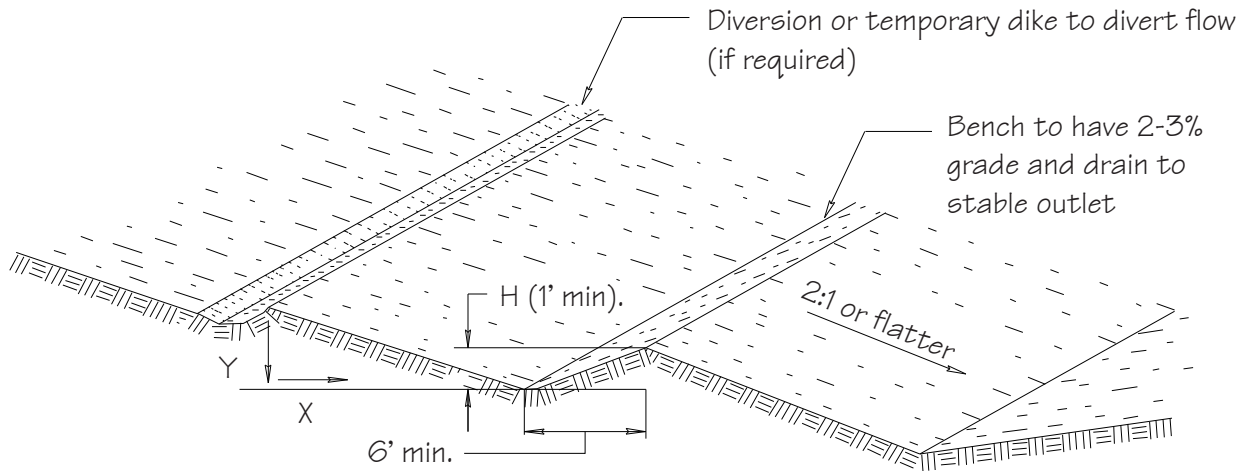


# Standard Detail & Specifications

## Slope Treatment - Benching



Slope X:1	Y (max.)
2	20'
3	30'
4	40'

### Perspective

DATA

Slope (X:1)  
Vertical height (Y)  
Bench height (H)

Source:

Adapted from  
MD Stds. & Specs. for ESC

Symbol:



Detail No.

**DE-ESC-3.4.2.1**

Sheet 1 of 2

Effective July 2023

## Standard Detail & Specifications

# Slope Treatment - Benching

### Construction Notes:

1. All graded or disturbed areas including slopes shall be protected during clearing and construction in accordance with the approved sediment control plan until they are permanently stabilized.
2. Topsoil required for the establishment of vegetation shall be stockpiled in amounts necessary to complete finished grading of all exposed areas.
3. Areas to be filled shall be cleared, grubbed and stripped of topsoil to remove trees, vegetation, roots or other objectionable material.
4. Areas which are to be topsoiled shall be scarified to a minimum depth of three (3) inches prior to placement of topsoil.
5. All fills shall be compacted as required to reduce erosion, slippage, settlement, subsidence or other related problems.
6. All fill is to be placed and compacted in layers not to exceed 8 inches in thickness.
7. Except for approved landfills, fill material shall be free of brush, rubbish, rocks, logs, stumps, building debris and other objectionable materials that would interfere with or prevent construction of satisfactory fills.
8. Frozen materials or soft, mucky or highly compressible materials shall not be incorporated into fills.
9. Fill material shall not be placed on a frozen foundation.
10. All diversions shall be kept free of sediment during all phases of development.
11. Seeps or springs encountered during construction shall be handled in accordance with the Standard and Specifications for Subsurface Drain or other approved methods.
12. All graded areas shall be permanently stabilized immediately following finished grading.
13. Stockpiles, borrow areas and spoil areas shall be shown on the plans and shall be subject to the provisions of this Standard and Specifications.

Source:

Adapted from  
MD Stds. & Specs. for ESC

Symbol:



Detail No.

**DE-ESC-3.4.2.1**  
Sheet 2 of 2  
Effective July 2023